

Analytics



COLUMN OVEN PRSO-V2-PF FOR THERMO FISHER μ PAC™ NEO NANOLC COLUMNS

OPERATORS MANUAL

**CE-Konformitätserklärung
CE Declaration of Conformity
CE Déclaration de Conformité
CE Dichiarazione di Conformità**



Der Hersteller / The manufacturer / Le fabricant / Il fabbricante

**Sonation GmbH
Alte Schulstr. 39 – 88400 Biberach - Deutschland**

erklärt hiermit, dass die Produkte
herewith declares that the products
déclare par la présente que le produits
dichiara che il prodotti

PRSO-V2-PF

den Anforderungen der folgenden EG-Richtlinien entspricht.

meets the provisions of following EC-Directives.
remplit les exigences des Directives CE suivantes.
soddisfa tutte le disposizioni dalle Direttive CE.

Richtlinie Directive Directive Direttiva	gültig bis valid until valable jusqu'à con validità fino al	gültig ab valid after valable à partir de applicabile dal
2006/95/EG, EC, CE	19.04.2016	
2014/35/EU		20.04.2016
2004/108/EG, EC, CE	19.04.2016	
2014/30/EU		20.04.2016
2011/65/EU		03.01.2013

Angewandte Normen: Applied standards: Normes appliquées: Norme applicate :	EN 61326-1:2013 - Basic requirements EN 61010-1 :2010 + Cor. :2011
--	---

Diese Erklärung gilt für die oben genannten Produkte ab dem Unterzeichnungsdatum.

This declaration is valid for the above mentioned products after the signature date below.

La présente déclaration est valable à partir de la date de signature.

Questa dichiarazione vale per il suddetto prodotti dalla data di firma.

Biberach, 17.05.2021

**Ort / place / lieu / luogo
Datum / date / date / data**


Unterschrift / signature / signature / firma

Name / name / nom / nome: Christof Völkle
(Geschäftsführer / management / directeur / delegato)

Contents

1	Safety	4
1.1	Important safety instructions	4
1.2	Intended use.....	4
1.3	Non-intended use.....	4
1.4	Examples of foreseeable misuse	4
1.5	Who may use and operate the column oven	5
1.6	Safety signs and symbols	5
	Safety symbols on the device and in the user manual.....	5
	Symbols on the nameplate	5
2	Product description	6
2.1	Scope of delivery	6
2.2	Overview	6
	Column Oven (top and bottom part)	6
	Controller	7
	Mounting kit for Thermo Fisher Flex™ Ion Source ES071 and ES072.....	7
	Mounting kit for Thermo Fisher EASY-Spray™ Source ES081 and ES082	8
3	Installation	8
3.1	Hardware.....	8
	Installation overview.....	8
	Installation of the μ PAC™ Flex iON Connect Adapter.....	9
	Installation of the mounting kit for the Thermo Fisher Flex™ Ion Source ES071 and ES072	9
	Installation of the mounting kit for the Thermo Fisher EASY-Spray™ Source ES081 and ES082	11
	Installation of the oven	12
	Connecting the cables.....	12
3.2	Software	12
	Installing the CO-Control application software	12
4	Usage	13
4.1	Column loading	13
4.2	Column grounding.....	14
4.3	Using CO-Control.....	15
5	Maintenance and Care	16
	Maintenance	16
	Cleaning	16
6	Final Disposal	16
7	Technical data	16
8	FAQ - Frequently Asked Questions	17
9	Personal notes	18

1 Safety

1.1 Important safety instructions

- Please read these operating instructions carefully before using the product. It contains important notes on installation and usage.
- The user manual is part of the product. Keep it in a safe place. If the product is sold, rented or passed on in any other way, the user manual must be included.
- Heed all warnings. These point out dangers and give recommendations for accident prevention.
- Only install the unit in locations expressly recommended by the manufacturer.
- If condensation forms after unpacking, allow at least 2 hours for the unit to acclimatize.
- This device may only be operated at sockets with protective earth.
- Make sure that you cannot trip over the mains cable and that the cable is not disconnected, is pinched, torn off or squeezed.
- Only use accessories expressly recommended by the manufacturer.
- Leave all maintenance work to an experienced service technician. Servicing or repairs are required if there is visible damage, if the power cord or plug is damaged, if liquid has been spilled inside the apparatus, if the apparatus has been exposed to rain, if it does not perform as expected, or if it has fallen.
- Only use connection cables or extension cables that are approved for the maximum permissible total current or power.
- Operation of the device in a manner not intended by the manufacturer may affect the protection provided by the device.

1.2 Intended use

- The oven is exclusively designed for heating and temperature control of Thermo Fisher μ PAC™ NEO nanoLC columns in nano-ESI applications.
- The oven is a product according to the Machinery Directive 2006/42/EC (complete machine).
- The oven must be installed as described in this manual.
- The fan must be able to turn free and may not be blocked.
- Do not use any non-heat-resistant materials inside the oven.
- The oven is constructed as technical work equipment and not intended for private use.
- The device may only be used in clean and dry rooms.
- The limit values for temperature and humidity during transport, storage and operation specified under 7 „Technical data“ on page 16 must not be exceeded.
- The oven must not be used in potentially explosive atmospheres, especially in areas enriched with oxygen, combustible anesthetics (class AP) or combustible anesthetics with oxidizing agents (class APG).
- The oven must be kept away from easily inflammable and combustible liquids.
- If a liquid should penetrate the electrical part of the oven or the controller it is to be set immediately out of operation and must be checked by a specialist.
- Use the oven only within the specifications specified in this manual.
- The valid accident guarding regulations according to each country must be considered.
- The device may only be repaired by a specialist.

1.3 Non-intended use

- A non-intended use is given when the equipment is treated in any way that is contrary to any of the points from the chapter 1.2 „Intended use“ on page 4.
- If the oven is not used as intended, handled improperly and used, assembled or handled by untrained personnel, hazards may arise for personnel from the oven.

1.4 Examples of foreseeable misuse

- When used for heating anything other than the specified Thermo Fisher μ PAC™ NEO nanoLC columns.

- Use in rooms with explosive atmospheres according to ATEX directive.
- Use with damaged supply lines.

1.5 Who may use and operate the column oven

- Physically and mentally healthy persons who have fully read and understood the instructions for use may use and operate the column oven as long as they are not affected by medication or drugs.

1.6 Safety signs and symbols

Safety symbols on the device and in the user manual



The “general mandatory sign” indicates that you should behave attentively. Marked information in this user manual is intended to draw your particular attention. You will receive important information on functions, settings and procedures. Failure to do so may result in malfunction of the equipment or its surroundings.



▪ The “general warning sign” indicates danger points or possible dangerous situations. Marked information in these user manual requires your special attention. You will receive important information on safety-relevant matters. Failure to do so may result in personal injury, malfunction of the device or the environment.



▪ The warning sign “Hot surface” indicates a potentially hot surface. Non-observance may cause burns. It is essential that you observe the safety instructions in the operating instructions.



▪ The warning sign “Warning of electrical voltage” indicates potential hazards due to electrical voltage. The positions on the device marked with this symbol and the information in these operating instructions are intended to draw your particular attention. You will receive important information on safety-relevant matters. Failure to do so may result in personal injury, malfunction of the device or the surrounding area.

Symbols on the nameplate



Conformity to low voltage and EMC directives



Do not dispose of in household waste



Indoor use only

2 Product description

2.1 Scope of delivery

The article "PRSO-V2-PF" contains all needed parts for use of the oven. To mount the oven to the respective ion source a separate mounting kit is needed. The available mounting kits are marked as "(optional)" in the following list:

- 1 x Column oven (top and bottom part)
- 1 x Controller box
- 1 x Oven control cable
- 1 x Data cable for RS232 and contact closure
- 1 x Column grounding cable. 2mm banana plug to 6,3x0,8mm flat connector
- 1 x USB to serial adapter
- 1 x 24V power supply with wide range input and power cable (with EU, CH, UK or US plug)
- 1 x This manual
- (Optional) Mounting kit for Thermo Fisher Flex™ Ion Source ES071 and ES072 (P/N PRSO-V2-KPF-FIS)
- (Optional) Mounting kit for Thermo Fisher EASY-Spray™ Source ES081 and ES082 (P/N PRSO-V2-KPF-ESIS)

2.2 Overview

The column oven for Thermo Fisher μ PAC™ NEO nanoLC columns "PRSO-V2-PF" allows the heating and temperature control of these columns. Throughput is increased by higher temperatures and more accurate results are achieved by the constant column temperature.

The optional mounting kits are used to mount the heater to the corresponding source.

Column Oven (top and bottom part)

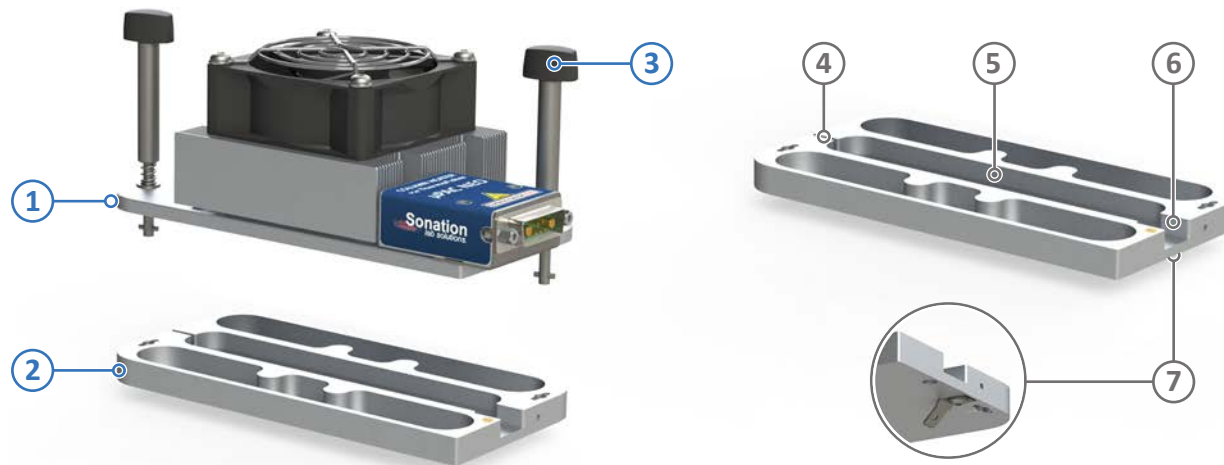


Fig. 1: Column oven (top and bottom part)

- | | | |
|----------------------|-------------------------|----------------|
| ① PRSO-V2 - Top part | ② PRSO-V2 - Bottom part | ③ Locking bar |
| ④ Column outlet | ⑤ Column compartment | ⑥ Column inlet |
| ⑦ Grounding pin | | |

The oven itself consists of two main parts. The upper part contains the heating/cooling unit, the heat sink and the cooling fan. This part is connected to the oven controller. The lower part holds the column and provides the in- and outlet for the column. On the underside of the bottom part the grounding pin and the fixing holes for the mounting kit are located.

Controller



Fig. 2: Controller - Rear view (left) and front view (right)

- ① “RS232 / Contact closure” connector
- ② “Power in” connector
- ③ “Oven control” connector

The controller contains the regulator and the power stage as well as the data interface for the connection to the instrument PC. Further it can be switched between two temperatures with the provided contact closure interface. If no serial port is available, a USB-to-serial adapter is provided. The front view shows the connector for the connection between the controller and the oven. The rear view shows the connectors for the connection to the power supply, the PC and the contact closure interface.

Mounting kit for Thermo Fisher Flex™ Ion Source ES071 and ES072

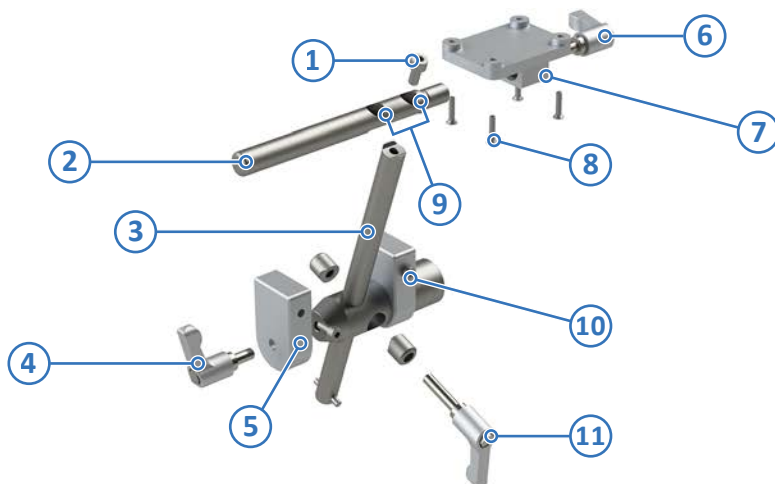


Fig. 3: Mounting kit

- ① Screw 1 x M5x10
- ② Handle bar
- ③ Mounting arm
- ④ Left locking lever
- ⑤ Mounting bracket
- ⑥ Right locking lever
- ⑦ Mounting plate
- ⑧ Screw 4 x M3x14
- ⑨ Source fixing points
- ⑩ Screw 2 x M4x10
- ⑪ Front locking lever

This mounting kit is to attach the oven to the Thermo Fisher Flex™ Ion Sources ES071 or ES072. It comes pre-assembled for use with the ES072 source.

Mounting kit for Thermo Fisher EASY-Spray™ Source ES081 and ES082

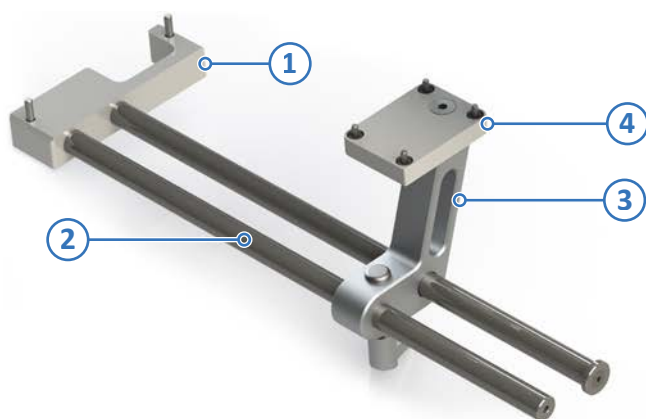


Fig. 4: Mounting kit for EASY-Spray™ Source ES081 and ES082

- ① Source mounting plate with 2 cylinder head mounting screws M4x25 ② guiding rails
③ Oven holder with locking lever ④ Oven mounting plate with 4 countersunk head screws M3x14

This mounting kit is to attach the oven to the Thermo Fisher EASY-Spray™ Source ES081 and ES082.

3 Installation

3.1 Hardware



- **Warning: During operation the surface of the oven can get very hot!**



Before installing the oven make sure the high voltage (spray voltage) has been turned off.

Installation overview

- Installation of the μ PAC™ Flex iON Connect Adapter.
- Installation of the mounting kit for the used source.
- Installation of the oven.
- Connecting the cables.

Installation of the μ PAC™ Flex iON Connect Adapter

For the correct installation of the μ PAC™ Flex iON Connect Adapter please follow the instructions in the Thermo Fisher instruction sheet.

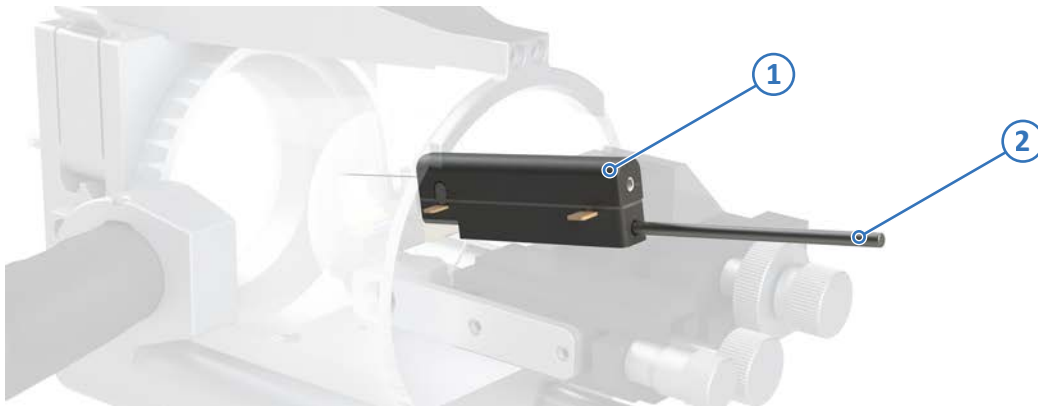


Fig. 5: μ PAC™ Flex iON Connect

① Thermo Fisher μ PAC™ Flex iON Connect

② Metal rod

Installation of the mounting kit for the Thermo Fisher Flex™ Ion Source ES071 and ES072

The mounting kit comes pre-assembled for the ES072 source. If the oven is used on an ES071 source, please use the alternative mounting position as shown in Fig. 3 ⑨.

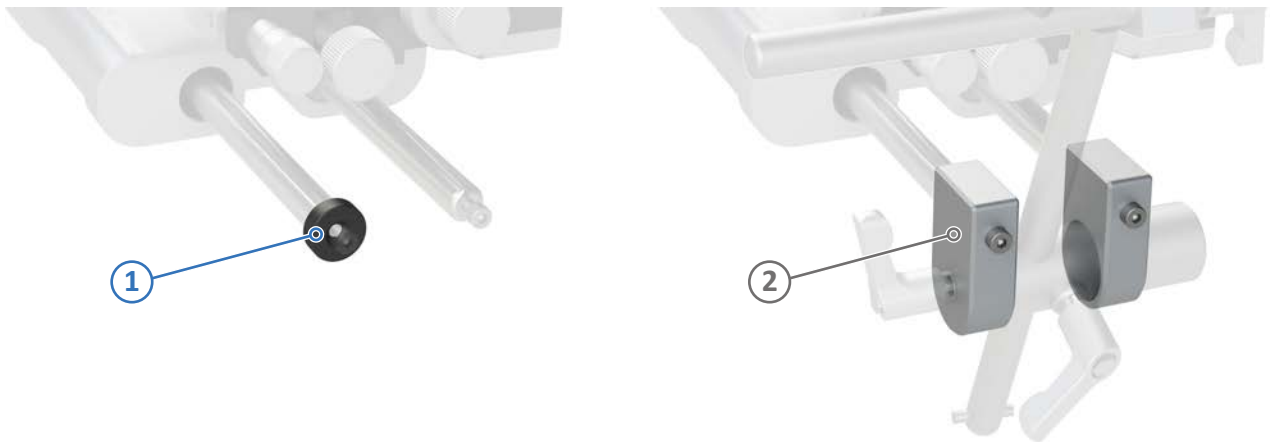


Fig. 6: Attaching the adapter

① Black plastic stopper

② Mounting brackets with screws (2 x M4x10)

To install the adapter, first remove the black plastic stopper on the front of the guiding rail of the source. Now slide the mounting brackets onto the guiding rails and secure them with the provided Allen head screws (2 x M4x10).

Adjusting the adapter



- Before releasing one of the locking levers, make sure to hold the mounting kit firmly at the handle as otherwise the kit (and the oven if already installed) may tip uncontrollably.

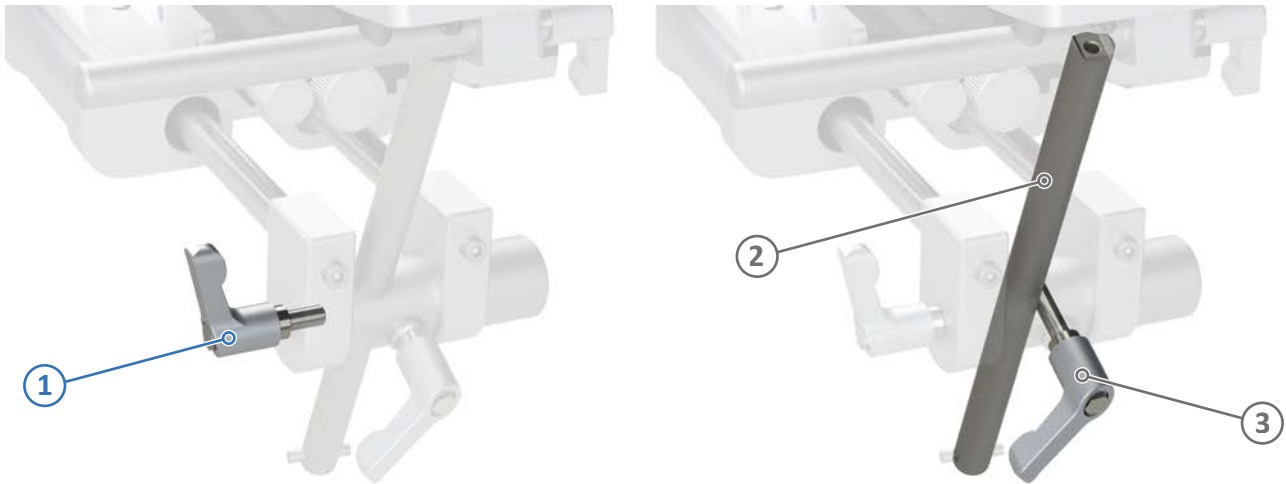


Fig. 7: Adjusting the adapter

- ① Left locking lever
- ② Mounting arm
- ③ Front locking lever

By loosening the left locking lever, the oven can be adjusted towards or away from the source. By loosening the front lever, the oven can be moved up and down and twisted left and right as well.

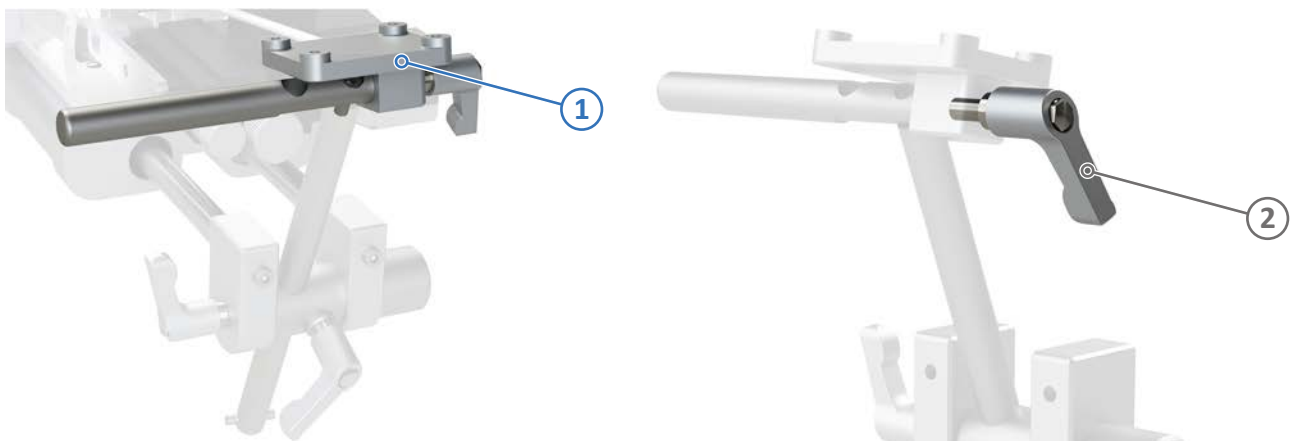


Fig. 8: Mounting the oven

- ① Mounting plate
- ② Right locking lever

Loosen the right locking lever to adjust the tilting angle of the oven. To mount the oven, the mounting plate has to be removed. To do so, unscrew the lever and detach the mounting plate.

Installation of the mounting kit for the Thermo Fisher EASY-Spray™ Source ES081 and ES082



Fig. 9: Existing screws on the underside of the EASY-Spray™ Source ES081 and ES082

① Existing screws

- Loosen the two screws marked in Figure 9 on the lower side of the Easy Spray source.

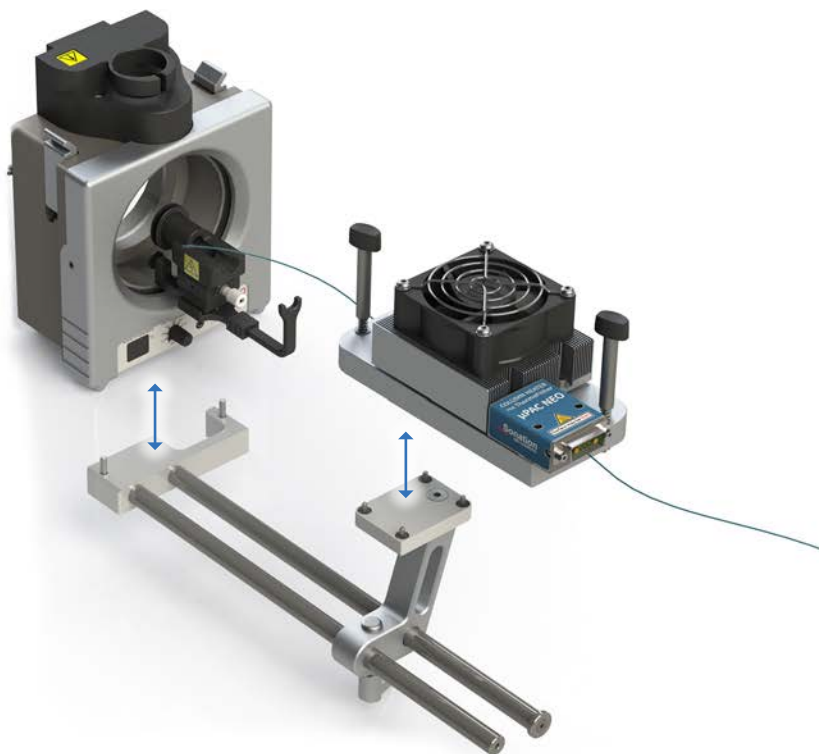


Fig. 10: Mounting the oven

- Attach the mounting kit to the source as shown in Fig. 10 and tighten the provided screws. To prevent the screws from being lost during transportation, they are secured with a short piece of silicone tubing. Please remove this before installation.

Installation of the oven

The installation of the oven is done by attaching it to the mounting kit. To do so, place the mounting plate to the bottom part of the oven and secure it with the provided screws. Please make sure the mounting plate is mounted in a way that the column outlet faces the source. Now re-attach the mounting plate to the mounting kit and position the oven in a way that the column outlet is close to the μ PAC™ Flex iON Connect Adapter.

Connecting the cables

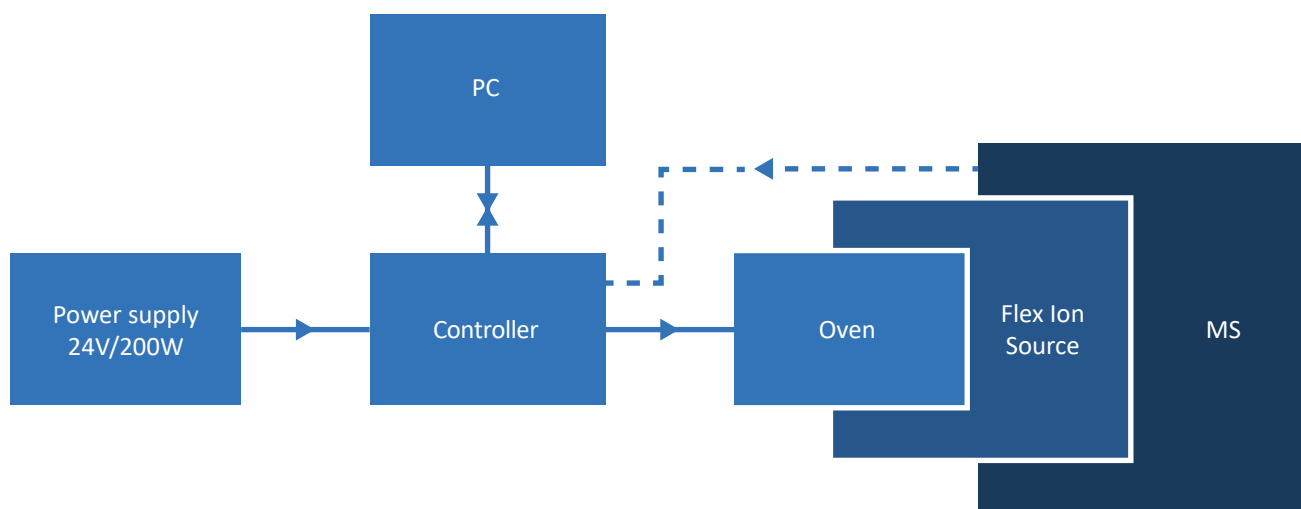


Fig. 11: Wiring scheme

- Connect the controller with the provided data cable to an available COM-port on your instrument PC. If there is no COM-port available, please use the provided USB to serial adapter.
- The remaining two open leads of this cable can be connected to the “contact closure out” of your instrument to switch between two preset temperatures. This is only needed if you want to switch automatically between two preset temperatures. Switching can also be done with the provided oven control software.
- Connect the oven to the controller with the provided oven control cable.
- Connect the 24-Volt power supply to the power connector on the controller. **The wide side of the plug faces the top of the control module, do not force it in twisted.** The power supply will be connected to a wall outlet later.

3.2 Software

Installing the CO-Control application software

- Navigate to the download area of our website under: <https://sonation.com/en/downloads.php>
- Download CO-Control, located in the section “Column oven”.
- To install the oven control software, run the file “setup.exe” and follow the steps of the installation wizard.

CO-Control needs Microsoft .NET which in most cases is already installed. If CO-Control does not start and displays a corresponding error message, install .NET accordingly.

4 Usage

4.1 Column loading



- Make sure that the high voltage (spray voltage) is switched off during the installation of the columns and during any subsequent plugging or unplugging of high voltage cables.



- Do not use any adhesive tape or other temperature sensitive materials inside the oven.
- When closing the oven make sure nothing is trapped or pinched between the top and bottom part.



- During operation the surface of the oven can get very hot!



After inserting a new column, a period of about 5 minutes should be waited before the first measurement so that the column can reach a constant temperature.

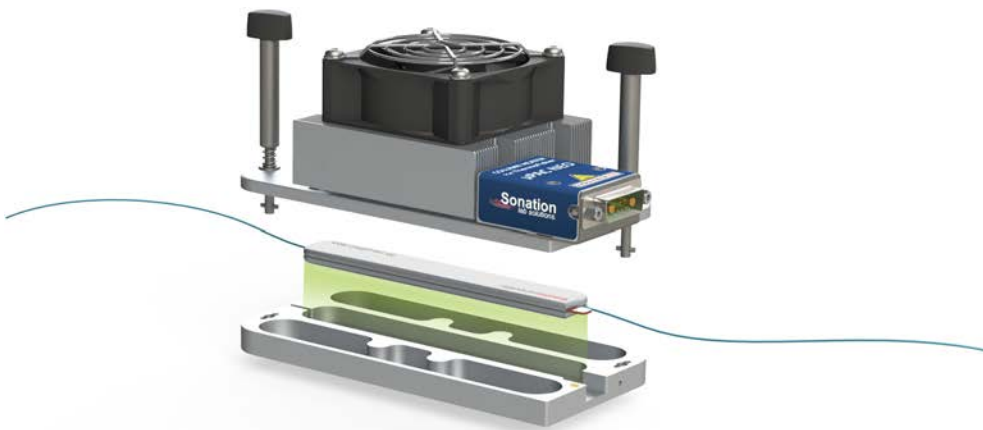


Fig. 12: Column loading

- Open the oven by turning the locking bars at the front and back of the oven. The top part can now be removed.
- Place the Thermo Fisher μ PAC™ NEO column inside the oven.
- Reinstall the top part of the oven. Make sure the oven is properly closed and nothing is trapped between the top and bottom part.
- Connect the column to the μ PAC™ Flex iON Connect Adapter as described in the Thermo Fisher documentation.
- Plug in the power cord from the power supply to a wall outlet.
- The oven is now ready to use.

4.2 Column grounding

When using the Thermo Fisher μ PAC™ Neo columns, a proper grounding is important for achieving reliable results. When using the columns without the Sonation column heater, the grounding kit provided by Thermo Fisher is used to ensure a proper grounding. When using the Sonation column heater, a cable is provided that connects the column to the oven housing. When the heater is closed, the column is grounded automatically. However, to ensure a proper grounding at all times, the Thermo Fisher grounding cable should be connected to the heater as shown below. Please see the illustration below where to connect the different cables.

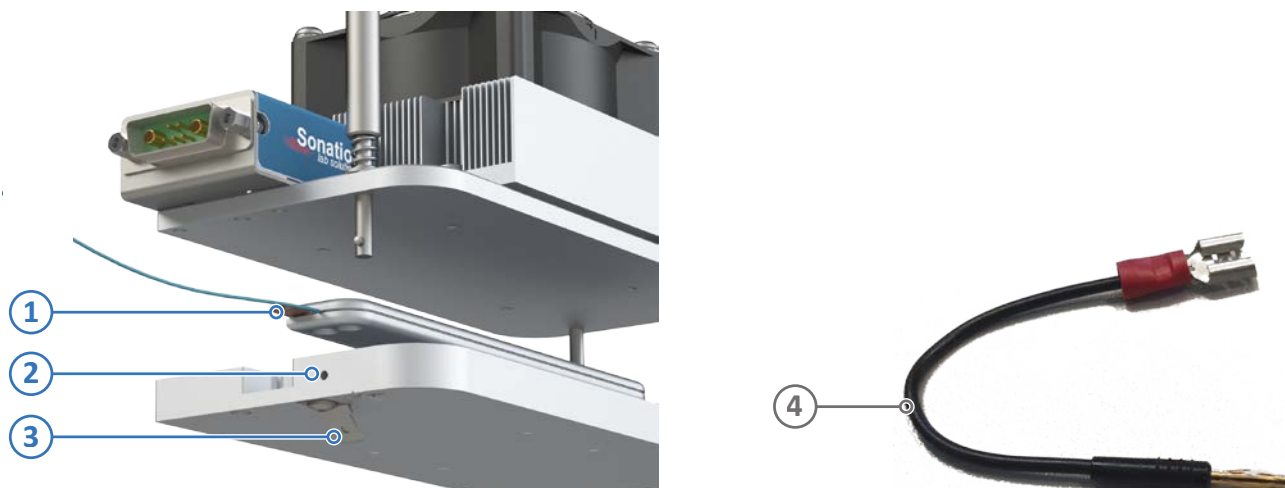


Fig. 13: Grounding the column

- ① Flat connector of the column
- ② Receptacle for 2mm Banana-plug
- ③ Flat connector - Connects to the Thermo Fisher grounding kit
- ④ Provided grounding cable 2mm banana-plug to flat connector

4.3 Using CO-Control

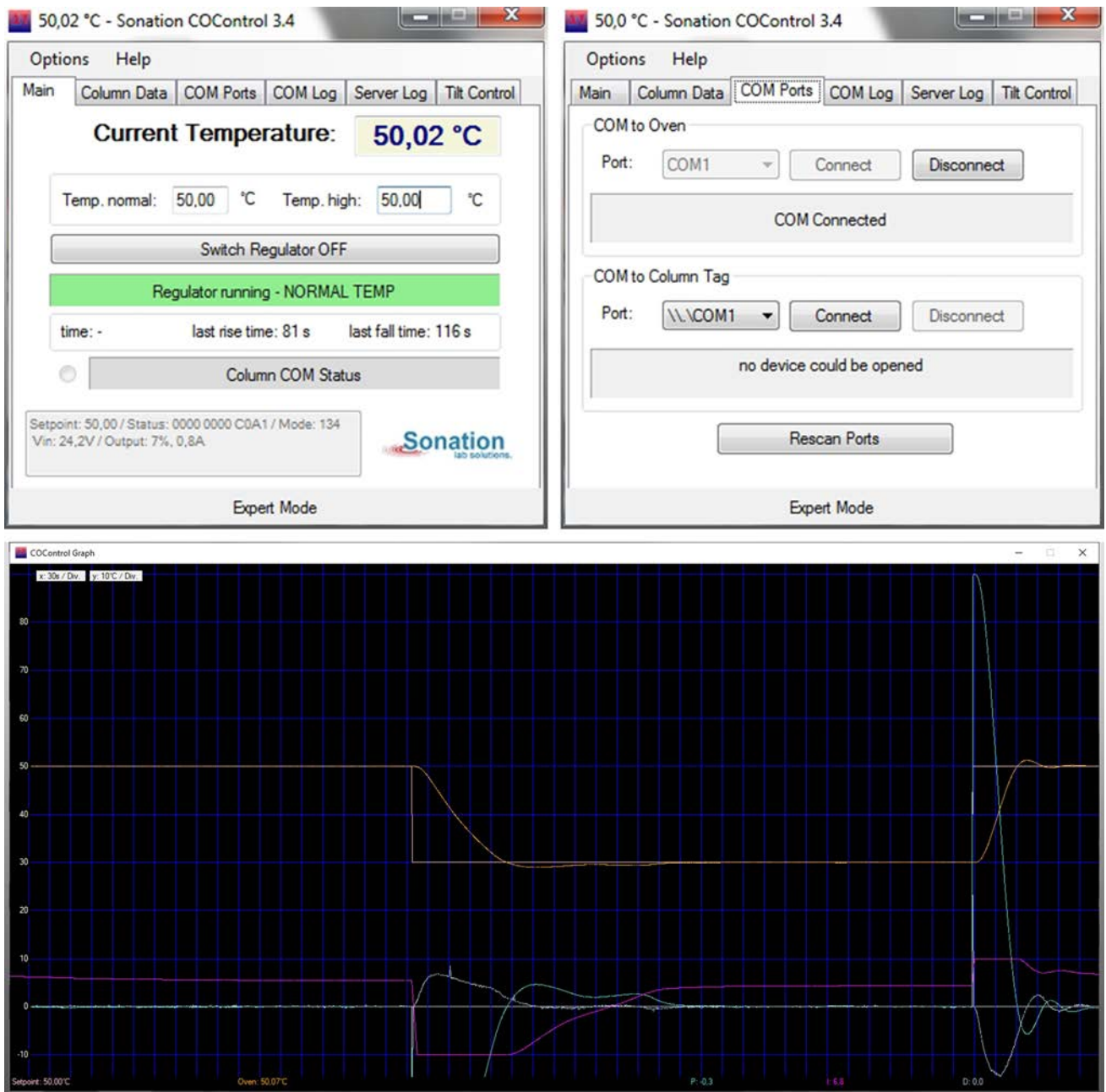


Fig. 14: Oven control software CO-Control

When the software is started the “Main” tab is displayed in the software window (Fig. 14).

On the “COM Ports” tab choose the port the controller is connected to and click “connect”. Now you should see the current temperature of the oven in the display in the upper right.

In the “Main” tab you can adjust the two temperature setpoints “Temp. normal” and “Temp. high”. By clicking “Switch regulator on” the regulator starts to heat or cool the oven to one of these setpoints, depending on the state of the contact closure input. To visualize the temperature profile, a graph window can be displayed. To open the graph window, choose “Options > Show Graph” from the main menu. In the settings window under “Options > Settings” the graph window can be shown automatically on startup.

It is possible to unlock an extended temperature range. If your application requires higher or lower temperatures, please ask Sonation for an option code. But also keep in mind that a higher temperature range is stress for the Peltier-modules and the separation column and can lead to a shorter lifetime.

5 Maintenance and Care

Maintenance

The product is basically maintenance-free but not wear-free. If a wear-related defect should occur, please contact your dealer or Sonation directly to clarify the further steps.

Cleaning

Use a soft, damp cloth to clean the surfaces. Aggressive solvents, bases or acids must not be used for cleaning.

6 Final Disposal

Dispose the product in accordance with local and national safety and environmental regulations.

The product contains electronic components, cables, metals, plastics, etc. and has to be disposed in accordance with applicable environmental regulations of the respective country. The disposal of the product in Germany is subject to the Elektro-G (RoHS) and in the European area of the EU Directive 2002/95/EC or the respective national legislation.

The product can also be returned to the seller for disposal. In this case the cost of transport, including the packaging costs shall be borne by the buyer. Please notify the seller of the return within 14 days before the expected arrival.

7 Technical data

Temperature control range		
Standard range:	15°C - 60°C (59°F - 140°F)	
Extended range:	15°C - 80°C (59°F - 176°F)	
Temperature control rate		
Heating:	30°C to 50°C: Less than 90s	
Cooling:	50°C to 30°C: Less than 180s	
Control accuracy	±0,1°C	
Supported columns	Thermo Fisher μ PAC™ NEO nanoLC columns	
Oven weight	0,8kg	
Permissible ambient conditions		
	Temperature	Humidity
Transport	-20 - 60°C / -4 - 140°F	5-90% (non-condensing)
Storage	10 - 40°C / 50 - 104°F	10-80% (non-condensing)
Operation	10 - 30°C / 50 - 86°F	20-80% (non-condensing)
Power cable		
EU	CEE 7/4 plug (Schuko plug) to IEC 60320 C13, length: 1,8m	
CH	T12 plug (according to SEV 1011:2009) to IEC 60320 C13, length: 1,8m	
UK	Type G plug (BS 1363) to IEC 60320 C13, length: 1,8m	
US	NEMA-5 plug to IEC 60320 C13, length: 1,8m	
Supply voltage	100-240VAC / 50-60Hz	
Max power input	200W	
Appliance class	Class III (protection by extra-low voltage)	

8 FAQ - Frequently Asked Questions

My PC does not have any COM ports / no available COM ports. Can I still install the oven?

Yes. Please use the provided USB to serial converter to install a virtual COM-port.

Is it possible to set up higher temperatures than 60°C or lower temperatures than 15°C?

Yes, it is possible. Please ask Sonation for an option code, but remember that the lifetime of the Peltier-elements will be lowered because of the additional thermal stress. Please also keep in mind that the Thermo Fisher μ PAC™ NEO nanoLC columns are currently rated to a maximum temperature of 60°C.

The temperature of the oven fluctuates / oscillates some degrees around the setpoint. What's wrong?

The most common cause is that the upper part of the oven does not properly sit on the lower part, resulting in an improper thermal connection. Please check if the column or other things are trapped between the upper and lower part.

9 Personal notes



IMPROVE YOUR SCIENCE



SONATION GMBH
ALTE SCHULSTRASSE 39
DE-88400 BIBERACH

TEL.: +49 (0) 7351 30038-39
E-MAIL: MAIL@SONATION.COM
WWW.SONATION.COM